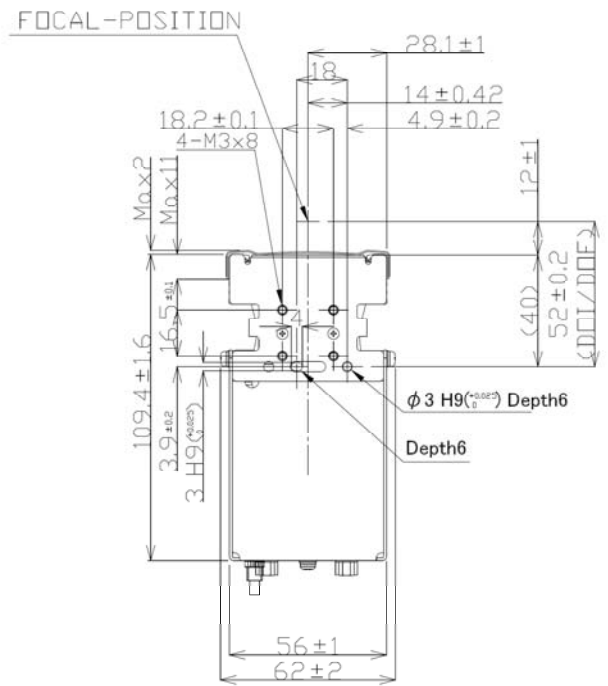
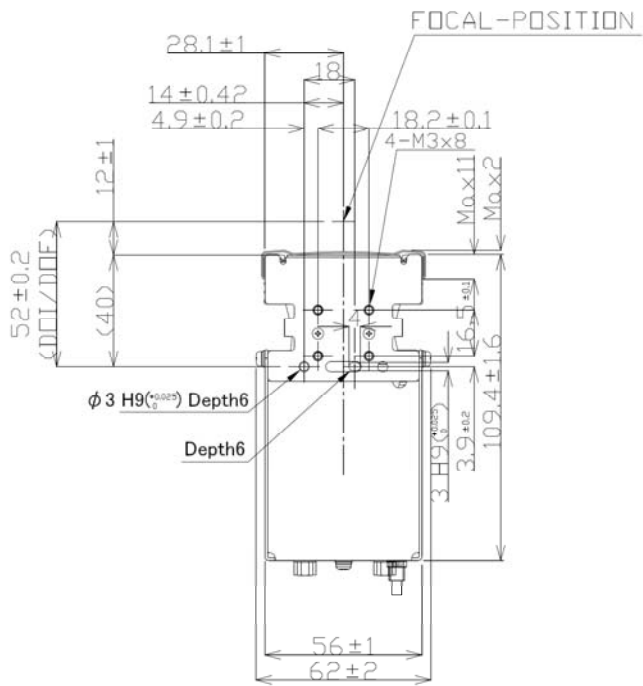


**KD6R367CX Outline drawing**

1st

END



1st-side

End-side

Side view (common mechanism)